

HD2 NEMA 1 Kit Installation Guide



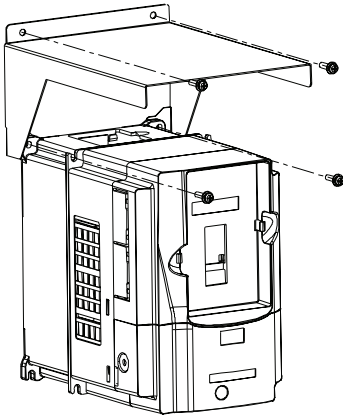
Installation Guide

For NEMA 1 Kit Frames 1-5:

Step 1

Place the drip-cover behind the drive and align the mounting holes of the drip-cover with the top mounting holes of the drive. Use the screws for mounting the drive to secure the drive and the drip cover to the mounting surface.

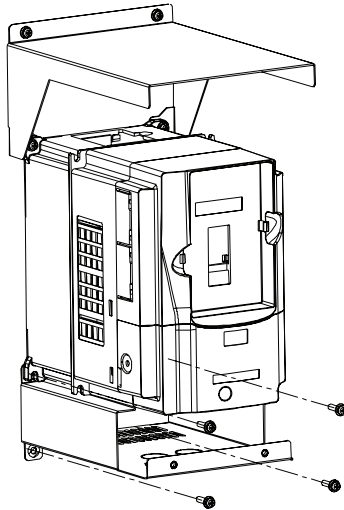
Screw quantity supplied: 4
Screw specifications: Same as mounting screws



Step 2

Align the bottom mounting holes of the drive with the mounting holes of the junction box. Use four screws to secure the junction box and drive to the mounting surface.

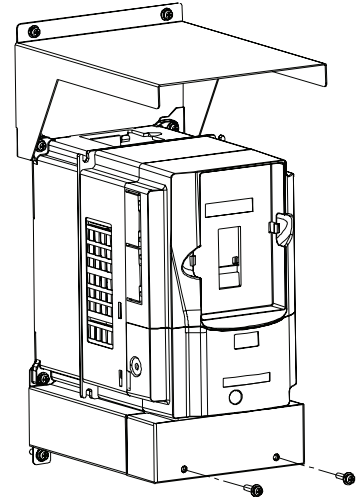
Screw quantity supplied: 4
Screw specifications: Same as mounting screws



Step 3

Mount the junction box face plate to the junction box base. Align the holes of the junction box face plate with the junction box base. Use two screws to secure the junction box face plate to the junction box base.

Screw quantity supplied: 2
Screw specifications: M4x10

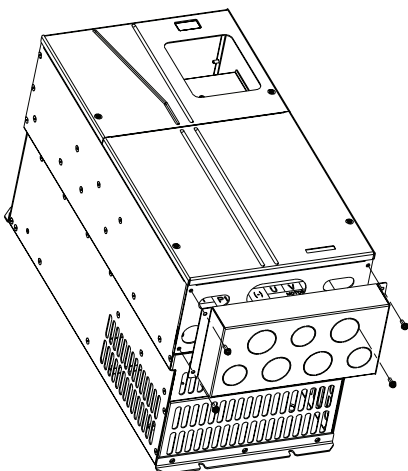


For NEMA 1 Kit Frames 6-7:

Step 1

Insert four screws through the junction box mounting holes and secure to the bottom plate of the drive.

Screw quantity supplied: 4
Screw specifications: M4x12



HD2 NEMA 1 Kit Installation Guide



Installation Guide

NEMA Kit Cross Reference

	Models	Width (mm)	Depth (mm)
Inverter	HD2-4.5A-23	126	185
NEMA KIT	HD2-NK1-1	146	200
Inverter	HD2-7A-23	146	192
	HD2-10A-23		
NEMA KIT	HD2-NK1-2	165	215
Inverter	HD2-16A-23	170	219
	HD2-20A-23		
NEMA KIT	HD2-NK1-3	185	245
Inverter	HD2-30A-23	230	217
NEMA KIT	HD2-NK1-4	249	245
Inverter	HD2-42A-23	255	242
	HD2-55A-23		
NEMA KIT	HD2-NK1-5	275	280
Inverter	HD2-70A-23	270	325
	HD2-80A-23		
	HD2-110A-23		
NEMA KIT	HD2-NK1-6	270	325
Inverter	HD2-130A-23	325	365
	HD2-160A-23		
	HD2-200A-23		
NEMA KIT	HD2-NK1-7	325	365
Inverter	HD2-3.7A-43-UL	126	185
	HD2-5A-43-UL		
NEMA KIT	HD2-NK1-1	146	200
Inverter	HD2-9.5A-43-UL	146	192
	HD2-14A-43-UL		
NEMA KIT	HD2-NK1-2	165	215
Inverter	HD2-18.5A-43-UL	170	219
	HD2-25A-43-UL		
NEMA KIT	HD2-NK1-3	185	245
Inverter	HD2-32A-43-UL	230	217
	HD2-38A-43-UL		
NEMA KIT	HD2-NK1-4	249	245
Inverter	HD2-45A-43-UL	255	242
	HD2-60A-43-UL		
NEMA KIT	HD2-NK1-5	275	280
Inverter	HD2-75A-43-UL	270	325
	HD2-115A-43-UL		
NEMA KIT	HD2-NK1-6	270	325



IMO Precision Controls Ltd

The Interchange, Frobisher Way, Hatfield, Herts. AL10 9TG UK

Telephone: +44 (0)1707 414444
 Fax: +44 (0)1707 414445
 Email: automation@imopc.com